

**LAMINATED
FILTER
S1 SERIES KRIPSOL**

NEW

The best alternative



KRIPSOL **S1 SERIES**
www.kripsol-pool.com

Model	Max. Flow (m³/h)	Max. Pressure (bar)	Max. Temperature (°C)	Max. Power (kW)	Max. Voltage (V)	Max. Current (A)	Max. Length (m)	Max. Weight (kg)
SR1	10	1.0	35	0.5	230	10	1.5	10
SR2	15	1.5	35	0.75	230	15	2.25	15
SR3	20	2.0	35	1.0	230	20	3.0	20
SR4	25	2.5	35	1.25	230	25	3.75	25
SR5	30	3.0	35	1.5	230	30	4.5	30
SR6	35	3.5	35	1.75	230	35	5.25	35
SR7	40	4.0	35	2.0	230	40	6.0	40
SR8	45	4.5	35	2.25	230	45	6.75	45
SR9	50	5.0	35	2.5	230	50	7.5	50
SR10	55	5.5	35	2.75	230	55	8.25	55
SR11	60	6.0	35	3.0	230	60	9.0	60
SR12	65	6.5	35	3.25	230	65	9.75	65
SR13	70	7.0	35	3.5	230	70	10.5	70
SR14	75	7.5	35	3.75	230	75	11.25	75
SR15	80	8.0	35	4.0	230	80	12.0	80
SR16	85	8.5	35	4.25	230	85	12.75	85
SR17	90	9.0	35	4.5	230	90	13.5	90
SR18	95	9.5	35	4.75	230	95	14.25	95
SR19	100	10.0	35	5.0	230	100	15.0	100
SR20	105	10.5	35	5.25	230	105	15.75	105
SR21	110	11.0	35	5.5	230	110	16.5	110
SR22	115	11.5	35	5.75	230	115	17.25	115
SR23	120	12.0	35	6.0	230	120	18.0	120
SR24	125	12.5	35	6.25	230	125	18.75	125
SR25	130	13.0	35	6.5	230	130	19.5	130
SR26	135	13.5	35	6.75	230	135	20.25	135
SR27	140	14.0	35	7.0	230	140	21.0	140
SR28	145	14.5	35	7.25	230	145	21.75	145
SR29	150	15.0	35	7.5	230	150	22.5	150
SR30	155	15.5	35	7.75	230	155	23.25	155
SR31	160	16.0	35	8.0	230	160	24.0	160
SR32	165	16.5	35	8.25	230	165	24.75	165
SR33	170	17.0	35	8.5	230	170	25.5	170
SR34	175	17.5	35	8.75	230	175	26.25	175
SR35	180	18.0	35	9.0	230	180	27.0	180
SR36	185	18.5	35	9.25	230	185	27.75	185
SR37	190	19.0	35	9.5	230	190	28.5	190
SR38	195	19.5	35	9.75	230	195	29.25	195
SR39	200	20.0	35	10.0	230	200	30.0	200
SR40	205	20.5	35	10.25	230	205	30.75	205
SR41	210	21.0	35	10.5	230	210	31.5	210
SR42	215	21.5	35	10.75	230	215	32.25	215
SR43	220	22.0	35	11.0	230	220	33.0	220
SR44	225	22.5	35	11.25	230	225	33.75	225
SR45	230	23.0	35	11.5	230	230	34.5	230
SR46	235	23.5	35	11.75	230	235	35.25	235
SR47	240	24.0	35	12.0	230	240	36.0	240
SR48	245	24.5	35	12.25	230	245	36.75	245
SR49	250	25.0	35	12.5	230	250	37.5	250
SR50	255	25.5	35	12.75	230	255	38.25	255
SR51	260	26.0	35	13.0	230	260	39.0	260
SR52	265	26.5	35	13.25	230	265	39.75	265
SR53	270	27.0	35	13.5	230	270	40.5	270
SR54	275	27.5	35	13.75	230	275	41.25	275
SR55	280	28.0	35	14.0	230	280	42.0	280
SR56	285	28.5	35	14.25	230	285	42.75	285
SR57	290	29.0	35	14.5	230	290	43.5	290
SR58	295	29.5	35	14.75	230	295	44.25	295
SR59	300	30.0	35	15.0	230	300	45.0	300
SR60	305	30.5	35	15.25	230	305	45.75	305
SR61	310	31.0	35	15.5	230	310	46.5	310
SR62	315	31.5	35	15.75	230	315	47.25	315
SR63	320	32.0	35	16.0	230	320	48.0	320
SR64	325	32.5	35	16.25	230	325	48.75	325
SR65	330	33.0	35	16.5	230	330	49.5	330
SR66	335	33.5	35	16.75	230	335	50.25	335
SR67	340	34.0	35	17.0	230	340	51.0	340
SR68	345	34.5	35	17.25	230	345	51.75	345
SR69	350	35.0	35	17.5	230	350	52.5	350
SR70	355	35.5	35	17.75	230	355	53.25	355
SR71	360	36.0	35	18.0	230	360	54.0	360
SR72	365	36.5	35	18.25	230	365	54.75	365
SR73	370	37.0	35	18.5	230	370	55.5	370
SR74	375	37.5	35	18.75	230	375	56.25	375
SR75	380	38.0	35	19.0	230	380	57.0	380
SR76	385	38.5	35	19.25	230	385	57.75	385
SR77	390	39.0	35	19.5	230	390	58.5	390
SR78	395	39.5	35	19.75	230	395	59.25	395
SR79	400	40.0	35	20.0	230	400	60.0	400
SR80	405	40.5	35	20.25	230	405	60.75	405
SR81	410	41.0	35	20.5	230	410	61.5	410
SR82	415	41.5	35	20.75	230	415	62.25	415
SR83	420	42.0	35	21.0	230	420	63.0	420
SR84	425	42.5	35	21.25	230	425	63.75	425
SR85	430	43.0	35	21.5	230	430	64.5	430
SR86	435	43.5	35	21.75	230	435	65.25	435
SR87	440	44.0	35	22.0	230	440	66.0	440
SR88	445	44.5	35	22.25	230	445	66.75	445
SR89	450	45.0	35	22.5	230	450	67.5	450
SR90	455	45.5	35	22.75	230	455	68.25	455
SR91	460	46.0	35	23.0	230	460	69.0	460
SR92	465	46.5	35	23.25	230	465	69.75	465
SR93	470	47.0	35	23.5	230	470	70.5	470
SR94	475	47.5	35	23.75	230	475	71.25	475
SR95	480	48.0	35	24.0	230	480	72.0	480
SR96	485	48.5	35	24.25	230	485	72.75	485
SR97	490	49.0	35	24.5	230	490	73.5	490
SR98	495	49.5	35	24.75	230	495	74.25	495
SR99	500	50.0	35	25.0	230	500	75.0	500
SR100	505	50.5	35	25.25	230	505	75.75	505

POB341
41
2013

LAMINATED FILTER S1 SERIES



Sand Filter



Laminated fiberglass technology



Filtering capacity



Resistant



For in ground pools up to 189 m³



10 to 32 m³/h



Valve included



Stability thanks to the base

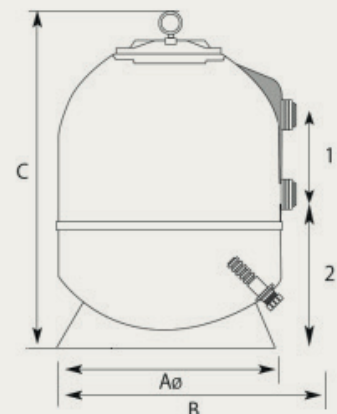


- New Polyester filter: Tank made of Polyester strengthened with glass fiber for even greater resistance.
- 4 models available for 10 to 32m³/h, for all types of pools and treatments.
- Optimized hydraulics: laterals double layer on S1-800 and S1-900 filters for a reduced headloss.
- Filtration speed: 50m³/h/m².
- Maximum working pressure: 1.6kg/cm².
- Testing pressure: 3.5kg/cm².
- Filtering capacity: 40–50 microns.
- Side multiport valve and pressure gauge equipped.
- Perfect stability thanks to its base.
- **For residential pools up to 189m³.**

Description	Unit	S1-500	S1-600	S1-800	S1-900
Diameter	mm	500	600	800	900
Flow	m ³ /h	10	15	24	32
Connections	inch	1½"	1½"	2"	2"
Filtration superficie	m ²	0.20	0.28	0.46	0.64
Laterals qty	units	8	8	16	16
Laterals length	mm	140	200	8-140 / 8-200	200
Sand (0.4 - 0.8 mm)	kg	100	150	350	450
Filter glass	kg	80	120	280	360
Multiport valve	inch	1½"	1½"	2"	2"
Pressure Gauge	-			Included	

Dimensions (mm)				
Ref.	B	C	1	2
S1-500SIDE	760	820	167	330
S1-600SIDE	930	855	165	375
S1-800SIDE	1175	1020	210	490
S1-900SIDE	1375	1120	205	575

Technical Specifications	
Max. water temp.	50°C
Operating pressure	0.5 - 1.5kg/cm ²
Maximum pressure	1.6kg/cm ²
Connection	1½" (Ø 500mm - Ø 600mm) / 2" (Ø 800mm - Ø 900mm)
Tank / Laterals / Unions / Cover	Polyester / ABS / PVC / ABS
Granulometry of filter media	0.4 - 0.8mm



ACQUA SOURCE S.A.
 Manufacturer of swimming pool and fountain products



15 Souri str., 121 31 Peristeri, Athens, Greece
GEMI: 084197502000

Tel. & Fax: +30 210 5721058, +30 210 5771863, +30 210 5774345
E-mail: info@acquasource.gr • www.acquasource.gr